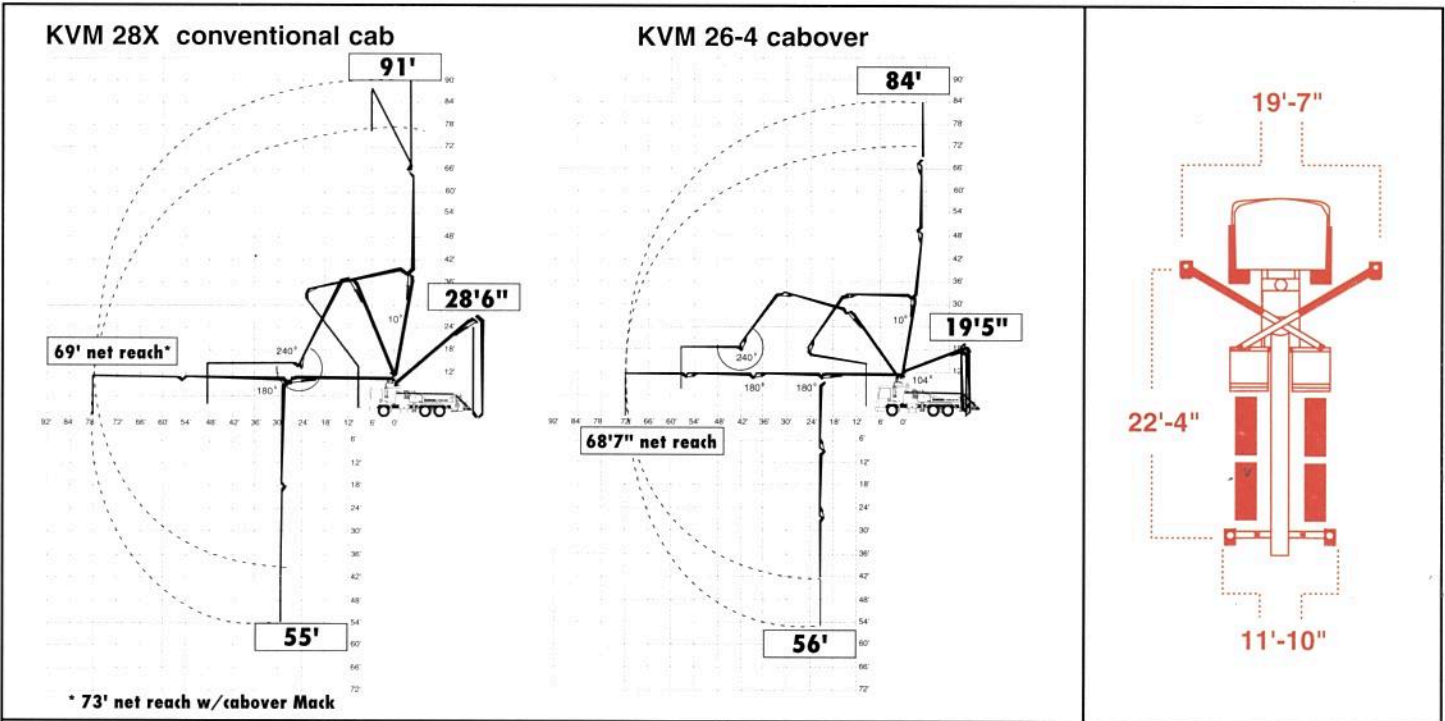


# Four-section boom versatility and operator convenience



## Boom Comparison

Gain the added flexibility and low unfolding height of a four-section boom for indoor work with no net loss in reach over a 28-meter boom on a conventional cab. That's the beauty of the 26-4 - it works more days of the year because of its versatility and loses little over longer three-section booms.

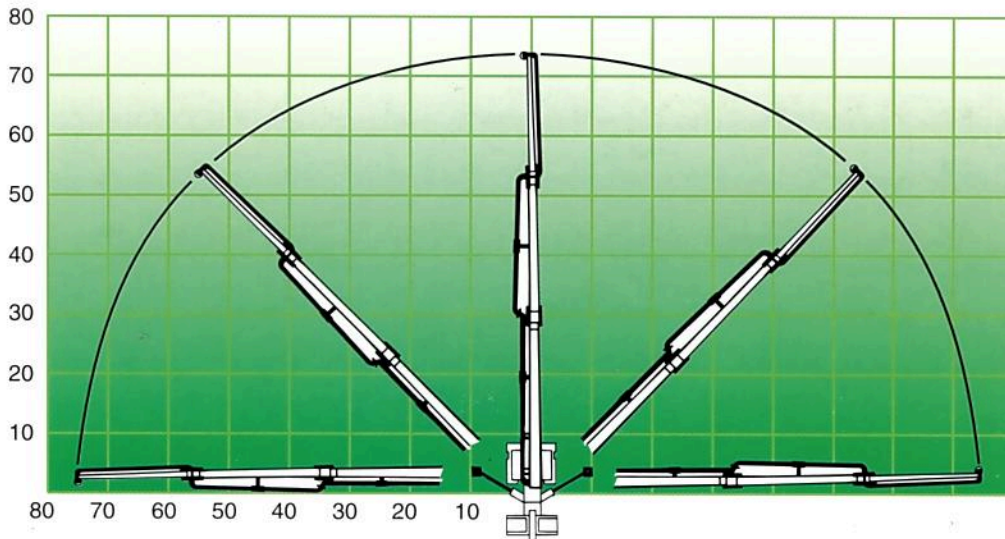
## An all-around performer that compares to longer three section booms.

Here is the best-kept secret in the Schwing line-up - a four section 26-meter boom with the reach to handle most jobs and the boom flexibility to work in tight quarters. The low 19'5" unfolding height allows indoor work and the 68'7" net horizontal

reach compares favorably with 28-meter booms that are mounted on conventional trucks. Because of the added flexibility at the 26-4's folding points you can snake this boom into and around obstructions. This means added work when the job moves indoors due to wet weather or enclosed structures.

## "X" style outriggers

Proven on larger Schwing models, "X" style outriggers combine manual and hydraulic deployment for efficiency and operator convenience. Now you can shoot the outriggers straight out to allow set-up in areas where obstructions prevent conventional stabilizers from swinging out.



Front legs power out and down hydraulically. Rears easily extend manually and power down hydraulically to provide a stable platform for high volume pumping. Controls on both sides of the chassis add safety and speed to set-up. Convenient pad storage further enhances operator efficiency.

